

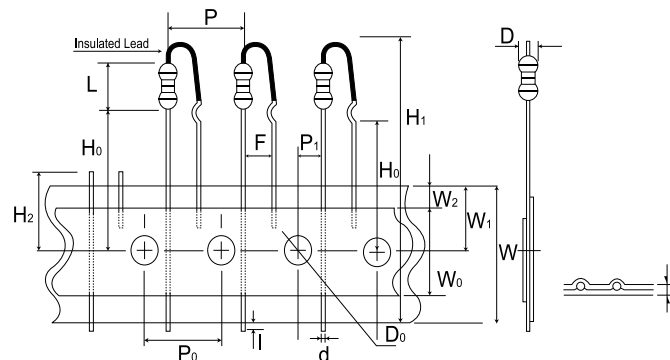
Avisert Type

Ordering Procedure: Ex.: CFR 1/8W, +/- 5%, 22Ω, T/R 5000 Avisert Type 3

<p>C F R 0 W 8 J 0 2 2 0 T 5 3</p>	<p>Type: CFR = Carbon Film MF = Metal Film MOR = Metal Oxide Film FRN = Fusible Film</p>	<p>Wattage: Avisert Type 1 W4 = 1/4W U2 = 1/2W-SS O6 = 0.6W-S S2 = 1/2W-S (S2 for MOR & FRN)</p>	<p>Resistance Value:</p> <ul style="list-style-type: none"> E-24 series: 1st digit is "0" 2nd & 3rd digits are the significant figures of the resistance 4th indicates the number of zeros: E-96 series: 1st to 3rd digits are the significant figures of the resistance and the 4th digit indicates the number of zeros. 	<p>Special Feature: 0 = Standard product F = Non-Flame</p>	<p>Avisert Type 2 W8 = 1/8W S4 = 1/4W-S</p>	<p>Packing Type: A = Tape/Box T = Tape/Reel</p>
		<p>Avisert Type 3 W8 = 1/8W S4 = 1/4W-S W4 = 1/4W U2 = 1/2W-SS O6 = 0.6W-S S2 = 1/2W-S (S2 for MOR & FRN)</p>				<p>Packing Qty: 2 = 2,000 pcs.(T/B only); 5 = 5,000 pcs.(T/R) T/R is 2,500 pcs.per reel & 2 reels per box</p>
			<p>Tolerance: F = ±1% J = ±5%</p>			<p>Additional Info.: 1 = Avisert Type 1 2 = Avisert Type 2 3 = Avisert Type 3</p>

Note:
1.) For Metal Film Fixed Resistors, please follow Part No. system on page 28

Avisert Type 1



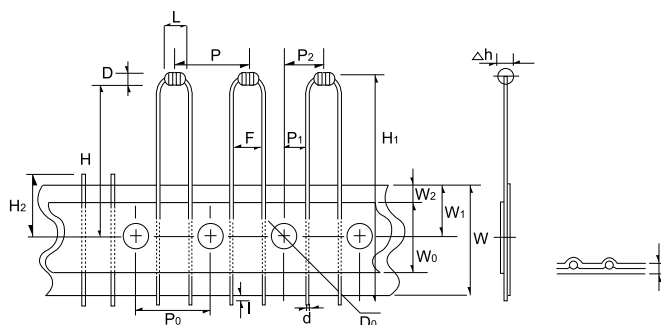
•This specification is applicable to: CFR 1/4W, 1/2W-SS, MFR 1/4W, 1/2W-SS, 0.6W-S
MOR 1/4W, 1/2W-S, FRN 1/4W, 1/2W-S

Items	Symbol	Dimension (mm)	Items	Symbol	Dimension (mm)
Body diameter	D	2.5 Max.	Hole position	W1	9.5 ± 0.5
Body length	L	6.8 Max.	Paper and tape distance	W2	3.0 Max.
Lead wire diameter	d	0.54±0.05	Height of Component from tape center	H	17 ± 0.5
Pitch of component	P	12.7 ± 1	Lead wire clinch height	H0	16 ± 0.5
Feed hole pitch	P0	12.7 ± 0.3	Component height	H1	34.50 Max.
Feed hole center to lead	P1	3.85 ± 0.7	Length of snapped lead	H2	11 Max.
Lead to lead distance	F	5 ± 1	Lead wire protrusion	l	1 Max.
Paper width	W	18 ± 1	Feed hole diameter	D0	4 ± 0.3
Tape width	W0	6 Min.	Total tape thickness	t	0.5 ± 0.2

Remark: P₀ cumulative pitch error 1mm / 20 pitch. Packing in this type have Ammo packing and Reel packing.

Avisert Type

Avisert Type 2

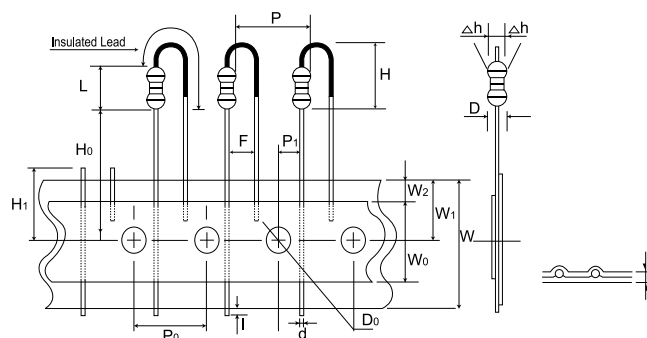


•This specification is applicable to: CFR 1/8W, 1/4W-S, MFR 1/8W, 1/4W-S This type is ideal for automatic insertion.

Items	Symbol	Dimension (mm)	Items	Symbol	Dimension (mm)
Body diameter	D	1.85 Max.	Tape width	W ₀	6 Min.
Body length	L	3.5 Max.	Hole position	W ₁	9 ± 0.5
Lead wire diameter	d	0.45±0.05	Paper and tape distance	W ₂	3 Max.
Pitch of component	P	12.7 ± 1	Lead wire clinch height	H	21.25 Max.
Feed hole pitch	P ₀	12.7 ± 0.3	Component height	H ₁	32.25 Max.
Hole center to lead	P ₁	3.85 ± 0.7	Length of snapped lead	H ₂	11 Max.
Hold center to component center	P ₂	6.35 ± 1.3	Lead wire protrusion	l	1 Max.
Lead to lead distance	F	5 ± 1	Feed hole diameter	D ₀	4 ± 0.3
Component alignment	Δh	0 ± 1	Total tape thickness	t	0.5 ± 0.2
Paper width	W	18 ± 1			

Remark: P₀ cumulative pitch error 1mm / 20 pitch. Packing in this type have Ammo packing and Reel packing.

Avisert Type 3



•This specification is applicable to: CFR 1/8W, 1/4W-S, 1/4W, 1/2W-SS, MFR 1/8W, 1/4W-S, 1/4W, 1/2W-SS, 0.6W-S MOR 1/4W, 1/2W-S FRN 1/4W, 1/2W-S

Items	Symbol	Dimension (mm)		Items	Symbol	Dimension (mm)
		1/8W	1/4W			1/8W, 1/4W
Body diameter	D	2.0 Max.	2.5 Max.	Paper width	W	18 ± 1
Body length	L	4.2 Max.	6.8 Max.	Tape width	W ₀	6 Min.
Lead wire diameter	d	0.45±0.05	0.54±0.05	Hole position	W ₁	9 ± 0.5
Body height	H	7.0 Max.	10.0 Max.	Paper and tape distance	W ₂	3.0 Max.
Lead wire clinch height	H ₀	20.0 Max.	16.0 Max.	Length of snapped lead	H ₁	11 Max.
Lead to lead spacing	F	2.5 ± 1	5 ± 1	Lead wire protrusion	l	1 Max.
Pitch of component	P	12.7 ± 1	12.7 ± 1	Feed hole diameter	D ₀	4 ± 0.3
Feed hole pitch	P ₀	12.7 ± 0.3	12.7 ± 0.3	Total tape thickness	t	0.5 ± 0.2
Hole center to lead	P ₁	3.85 ± 0.7	3.85 ± 0.7	Component alignment	Δh	0 ± 1

Remark: P₀ cumulative pitch error 1mm / 20 pitch. Packing in this type have Ammo packing and Reel packing.